

**NEW**

*Weighing Indicator*

# AD-4329A

*New and improved!*



*Meets your needs to help  
expand your business today !*



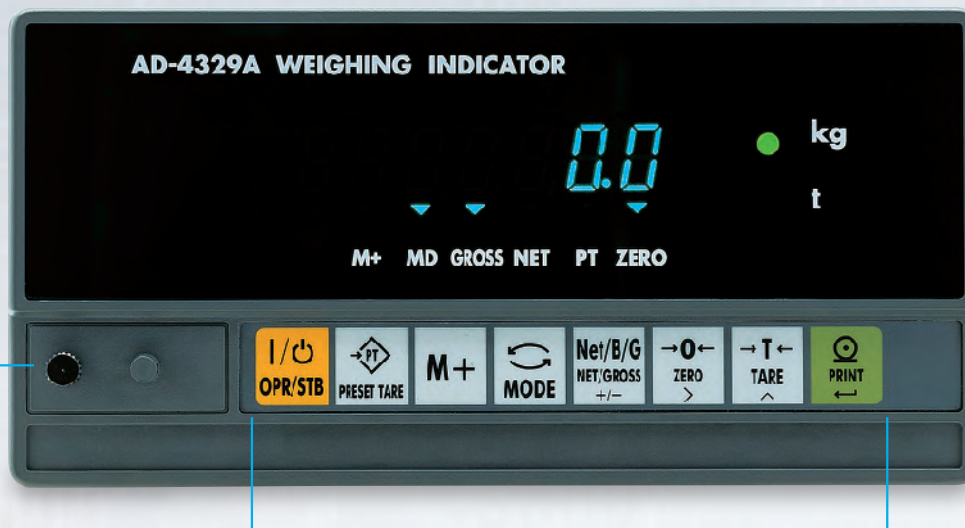
**AND**  
A&D Company, Limited  
<http://www.aandd.jp>

*...Clearly a Better Value*

# AD-4329A

## Weighing Indicator

- Standard RS-232C Interface
- 4-point digital linearization across the full span
- Triple ranges for weighing capacity are available
- Comparator output to an optional relay
- Vacuum fluorescent display



### CAL

Hidden behind the cover on the front panel. Enter the calibration mode/CF functions settings.

### Keys

- OPR/STB** — Turns display On/Off. The load cell is still powered when the display is off.
- PRESET TARE** — Sets the preset tare weight.
- M+** — Accumulates the displayed weighing value.
- MODE** — Displays and clears the accumulated weighing values. Used in calibration.

**NET/B/G NET GROSS** — Switches between net and gross weights.

**0 ZERO** — Sets the zero point.

**T TARE** — Subtracts the tare weight.

**PRINT** — Outputs data to a peripheral device such as a printer. Save parameters in the Function settings.

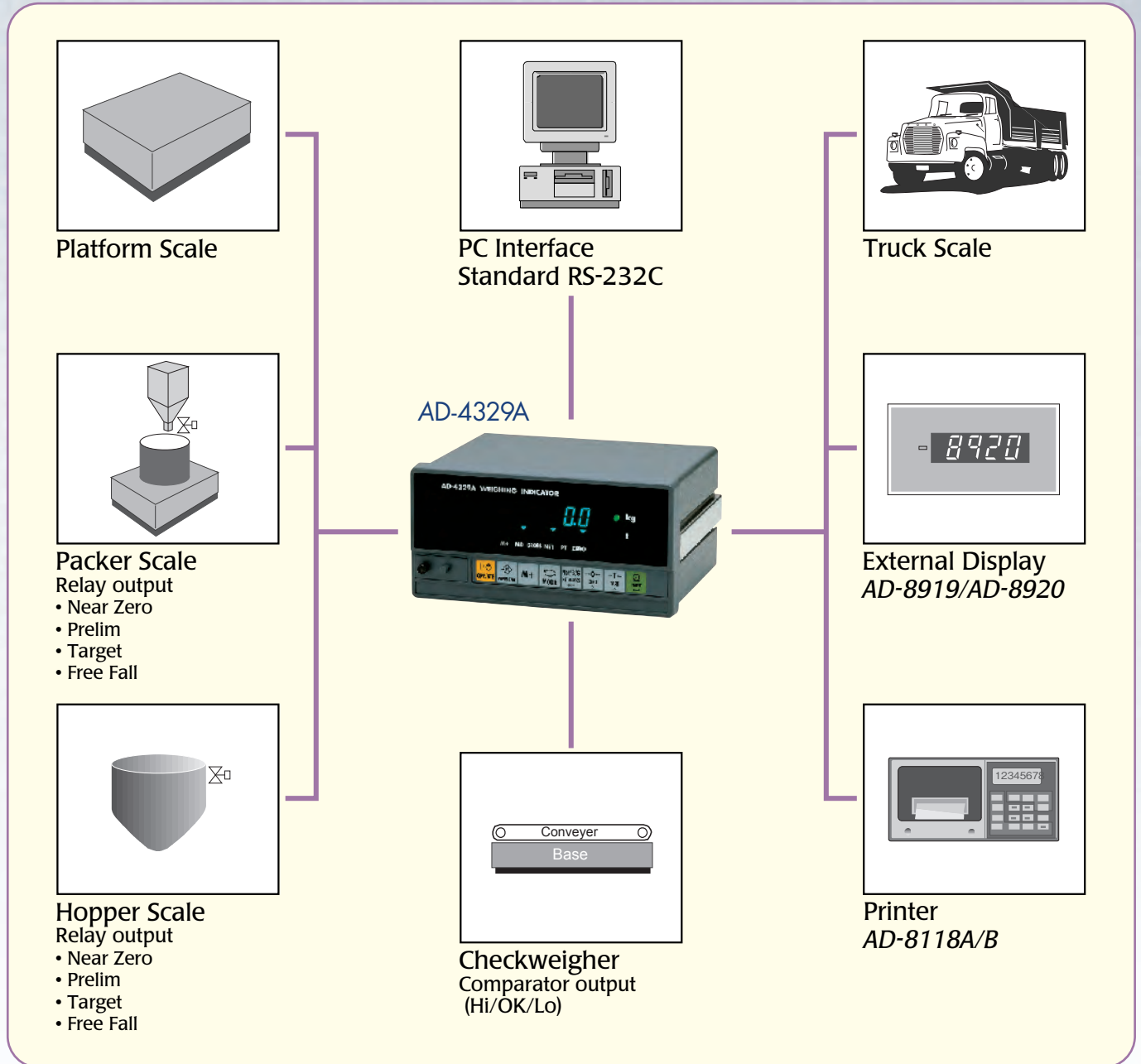
*The AD-4329A is your best choice for a variety of applications such as platform scale, packer scale, hopper scale, checkweigher and truck scale.*

- Vacuum fluorescent display
- Accumulative data is stored into memory automatically or manually
- Comparator output (Hi/OK/Lo) to optional relays
- Set-point comparison for batching applications (Near Zero/Prelim/Target/Free Fall)
- Selectable weighing ranges (up to triple ranges)
- Standard RS-232C
- 4-point digital linearization
- 1/20,000 displayed count resolution (maximum)
- Powers up to 8 units of load cells at 350Ω
- Averaging time and width can be selected for various applications
- RFI/EMI protected
- Meets OIML Class III specifications
- Mount on panel, column or desk top
- Enters predetermined tare weight from keypad
- Can be controlled via external input



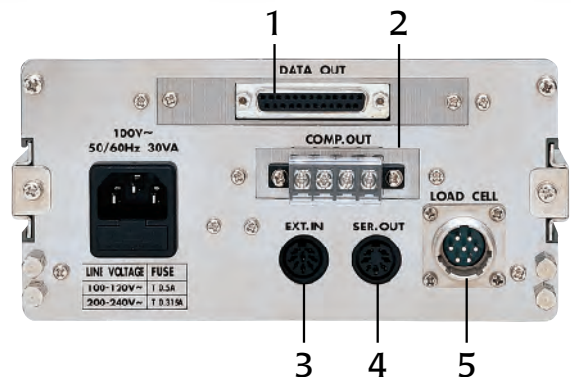
# Your Best Solution

Best Price Performance for your various applications



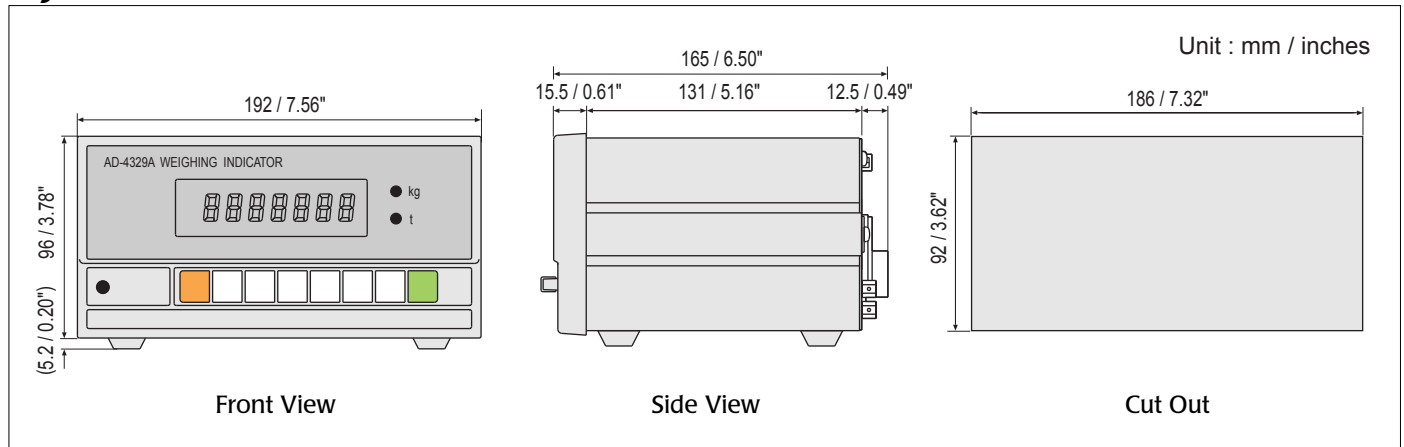
## Rear Panel View

1. Standard RS-232C interface.  
Optional BCD (OP-01), RS-422/485 (OP-03) or analog output 4 -20mA (OP-07)
2. Optional comparator output (OP-02)
3. External control input
4. Standard current loop output
5. Load cell connector



# AD-4329A *Weighing Indicator*

## Physical Dimensions



## Specifications

Input Sensitivity	0.15 $\mu$ V/d (min.)
Input Signal Range	-35mV to +35mV
Load Cell Excitation	5V DC $\pm$ 5%, 120mA
Load Cell Drive Capacity	Up to 8 units of load cells at 350 $\Omega$ Up to 16 units of load cells at 800 $\Omega$ (LCC07/LCC11/LCC12)
Zero Temperature Coefficient	$\pm$ 0.02 $\mu$ V/ $^{\circ}$ C typ. $\pm$ 0.1 $\mu$ V/ $^{\circ}$ C max.
Span Temperature Coefficient	$\pm$ 3ppm/ $^{\circ}$ C typ. $\pm$ 15ppm/ $^{\circ}$ C max.
Non-Linearity	0.005% of full scale
Maximum Input Noise	Less than 0.15 $\mu$ Vp-p
Input Impedance	10M $\Omega$ or more
A/D Conversion Method	Delta-sigma modulation
A/D Internal Resolution	16,000,000 counts
Maximum Display Resolution	20,000 counts (max.)
A/D Conversion Rate	Approximately 10 times/sec.
Weight Display	Vacuum Fluorescent Display, 7-digit, 7-segment, 13mm (character height)
Annunciator	Stable, Zero Point, Gross, Net, Tare, Accumulation, kg/t or lb
Standard Serial Interface	RS-232C interface 20mA current loop

Keys	STANDBY/OPERATE, NET/GLOSS, PRESET TARE, TARE, ZERO, M+, MODE, PRINT
Power Supply	100 to 240V AC (Please request preferred voltage rating at time of order), 45 to 65Hz, 30VA
Net Weight	Approximately 1.8kg / 4.0lb
Dimensions	192(W) $\boxtimes$ 96(H) $\boxtimes$ 165(D) mm (compliance with DIN)
Panel Cut Out Dimensions	186(W) $\boxtimes$ 92(H) mm
Operating Temperature	-5 $^{\circ}$ C to 40 $^{\circ}$ C (23 $^{\circ}$ F to 104 $^{\circ}$ F)
Storage Temperature	-10 $^{\circ}$ C to 70 $^{\circ}$ C (14 $^{\circ}$ F to 158 $^{\circ}$ F)

## Options

AD-4329A-01	BCD output (open collector)
AD-4329A-02	Comparator output (relay output)
AD-4329A-03	RS-422/485
AD-4329A-07	Analog output (4-20mA)

## Standard accessories

•AC cable (2 meters)	•External input plug
•Load cell input plug	•Rubber foot (4 pcs)
•Capacity sticker	•Current loop output plug

Appearance and/or specifications subject to change for improvement without notice.

# A&D

...Clearly a Better Value

## A&D Company, Limited

3-23-14 Higashi-Ikebukuro, Toshima-ku, Tokyo 170-0013 JAPAN  
Telephone: [81] (3) 5391-6132 Fax: [81] (3) 5391-6148  
<http://www.aandd.jp>

## A&D Engineering, Inc.

1756 Automation Parkway, San Jose, CA 95131 U.S.A.  
Telephone: [1] (408) 263-5333 Fax: [1] (408) 263-0119

## A&D Australasia Pty Ltd.

32 Dew Street, Thebarton, South Australia 5031 AUSTRALIA  
Telephone: [61] (8) 8301-8100 Fax: [61] (8) 8352-7409

## A&D Instruments Ltd.

Unit 24/26 Blacklands Way Abingdon Business Park,  
Abingdon, Oxon OX14 1DY UNITED KINGDOM  
Telephone: [44] (1235) 550420 Fax: [44] (1235) 550485

## <German Sales Office>

Hamburger StraÙe 30 D-22926 Ahrensburg, GERMANY  
Telephone: [49] (0) 4102 459230 Fax: [49] (0) 4102 459231

## A&D Korea Limited

817, Manhattan Bldg., 33, Gukjegeumyung-ro 6-gil,  
Yeongdeungpo-gu, Seoul, 150-749, KOREA  
Telephone: [82] (2) 780-4101 Fax: [82] (2) 782-4280

## A&D RUS Co., Ltd.

Vereyskaya str.17, Moscow, 121357 RUSSIA  
Telephone: [7] (495) 937-33-44 Fax: [7] (495) 937-55-66

## A&D Instruments India Private Limited

509 Udyog Vihar Phase V Gurgaon-122 016,  
Haryana, INDIA  
Telephone: [91] (124) 471-5555 Fax: [91] (124) 471-5599