

Warning Definitions

The warnings described in this manual have the following meanings:

Caution

A potentially hazardous situation which, if not avoided, may result in minor or moderate injury. It may also be used to alert against unsafe practice.

Note

An important description for proper use of the instrument.

Precautions

When handling the balance with the rechargeable battery installed, observe the following precautions.

Caution

- Do not heat the unit, disassemble or dispose of in fire. It may build up heat, explode, or leak and cause a fire. Follow the local regulations when disposing of a used battery.
- Do not allow the unit to become wet. It may build up heat or cause a fire.
- Do not remove the battery panel and battery from the balance. It could short and build up heat or cause a fire.
- Recharge the battery only after the battery has been discharged completely. Charging the battery repeatedly, with incomplete discharging, may result in heat buildup, generating gases or leaking.
- When charging the battery, use the AC adapter provided with the balance. Using an AC adapter other than the one provided may cause heat buildup and could cause a fire.
- Keep the unit out of the reach of children.
- Do not drop or apply shock to the unit.

Compliance

Compliance with FCC Rules

Please note that this equipment generates, uses and can radiate radio frequency energy. This equipment has been tested and has been found to comply with the limits of Class A computing device pursuant to Subpart J of Part 15 of FCC rules. These rules are designed to provide reasonable protection against interference when the equipment is operated in a commercial environment. If this unit is operated in a residential area it may cause some interference and under these circumstances the user would be required to take, at his own expense, whatever measures are necessary to eliminate the interference.

(FCC = Federal Communications Commission in the U.S.A.)

Compliance with EMC Directives



This device features radio interference suppression in compliance with valid EC Regulation 89/336/EEC.

The CE mark is an official mandatory European marking.

Please note that any electronic product must comply with local laws and regulations when sold or used anywhere outside Europe.

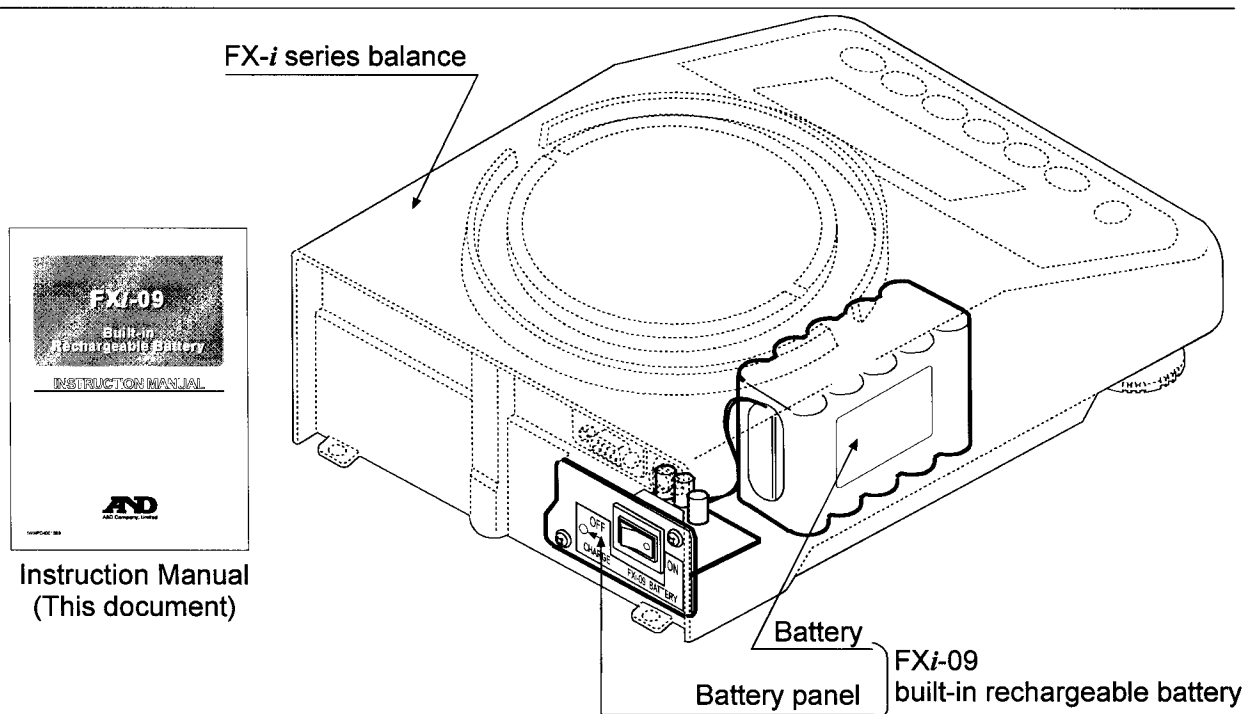
1. Introduction

The FX*i*-09 is a rechargeable battery exclusively designed for A&D-manufactured FX*i* series balances. Using the FX*i*-09, a balance can be operated in a location where an AC power source is not available.

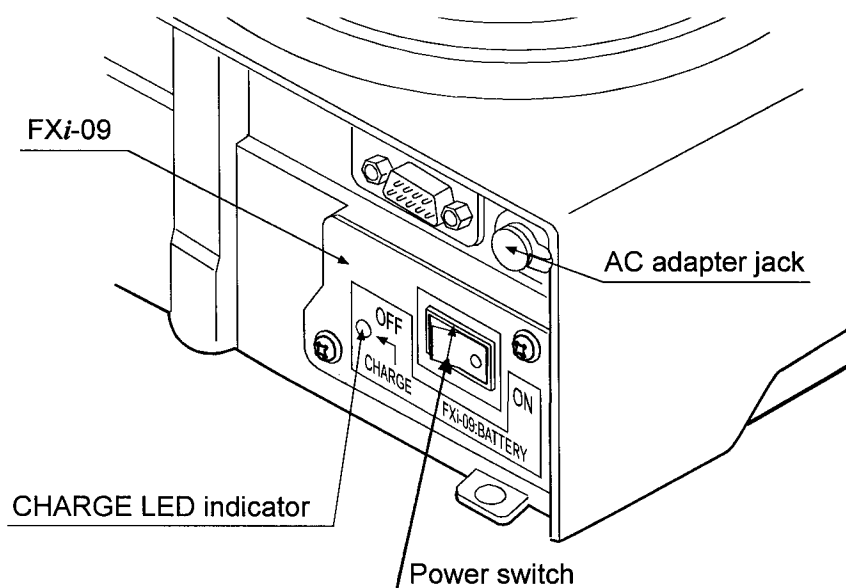
The FX*i*-09 consists of a battery panel and a battery that have been installed into the balance when purchased.

To install the FX*i*-09 into an FX*i* balance that was not equipped with this option, contact your local A&D dealer.

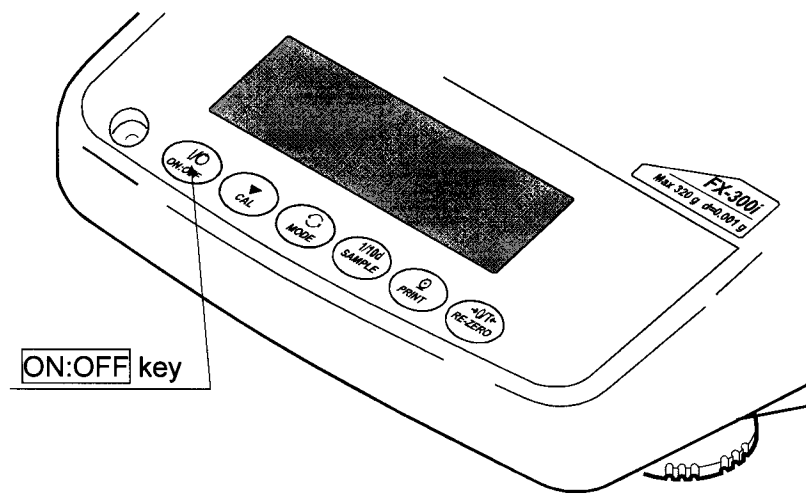
1-1 Names of Each Part



Balance rear view



Balance front view



1-2 Specifications

Balance mass	Approximately 2.9 kg (With the rechargeable battery installed)
Operating temperature range	+5°C to +40°C (+41°F to +104°F) unit
Operating humidity range	85%RH or less (No condensation)
Operation hours	Approximately 8 hours when operated continuously. (Operation hours depend on the operating conditions.)
Charging time	Approximately 10 hours
Charging method	Constant current charge with timer function for an automatic stop
Battery type	Nickel-metal-hydride (Ni-MH) battery

1-3 Notes on Using the FXi-09

- The continuous operation hours depend on the operating conditions.
- During the charging operation, the battery can not be used.
- The battery may self-discharge while it is left unused for a long period of time. Charge the battery after a long period of non-use.
- Pressing the **ON:OFF** key only turns the display off. The balance, after the display is turned off using the **ON:OFF** key, is still consuming power. To turn the power off completely, disconnect the AC adapter from the balance and turn OFF the power switch that is located on the rear of the balance. (If the AC adapter is connected to the balance under this condition, the battery will start charging.)
- Every time the power switch on the rear of the balance is turned OFF with the AC adapter connected to the balance, the battery will start charging. Charging the battery before it is completely discharged will shorten the battery life.

1-4 Battery Condition and Operation

The below is the list of the battery operation according to the combination of the power switch and AC adapter conditions. For details, read each section on the following pages.

Operation	Power switch	AC adapter	Description
Charging the battery	OFF	Connected	<p>The CHARGER LED indicator blinks and charging starts. After 10 hours, charging stops automatically and the CHARGER LED indicator goes out.</p> <p>Charge the battery after it is completely discharged.</p> <p>During the charging operation, the battery can not be used.</p>
Using the balance powered by the battery	ON	Not connected	<p>The battery supplies power to the balance.</p> <p>The battery will supply power continuously for 8 hours under normal conditions.</p>
None	OFF	Not connected	The battery is not used.
Using the balance powered by the AC adapter	ON	Connected	<p>The AC adapter supplies power to the balance.</p> <p>The AC adapter does not charge the battery.</p>

2. Charging the Battery

Notes

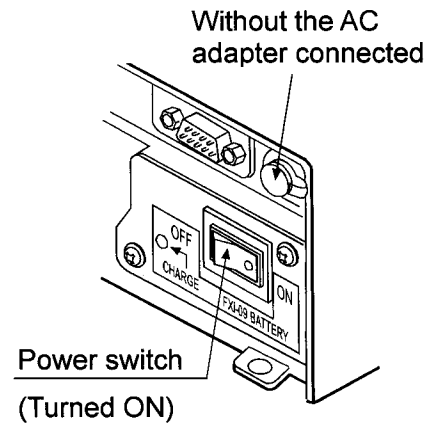
- Charging the battery before it is completely discharged will shorten the battery life.
- Charge the battery fully, until the CHARGE LED indicator goes out. This procedure will take about 10 hours.
- During the charging operation, the battery can not be used.

Charge the battery as follows:

1. Make sure that the battery is completely discharged before recharging.

How to determine when the battery is completely discharged:

- When the power switch on the rear of the balance is turned ON without the AC adapter connected, the balance does not operate or the balance displays "L b" (Low battery).

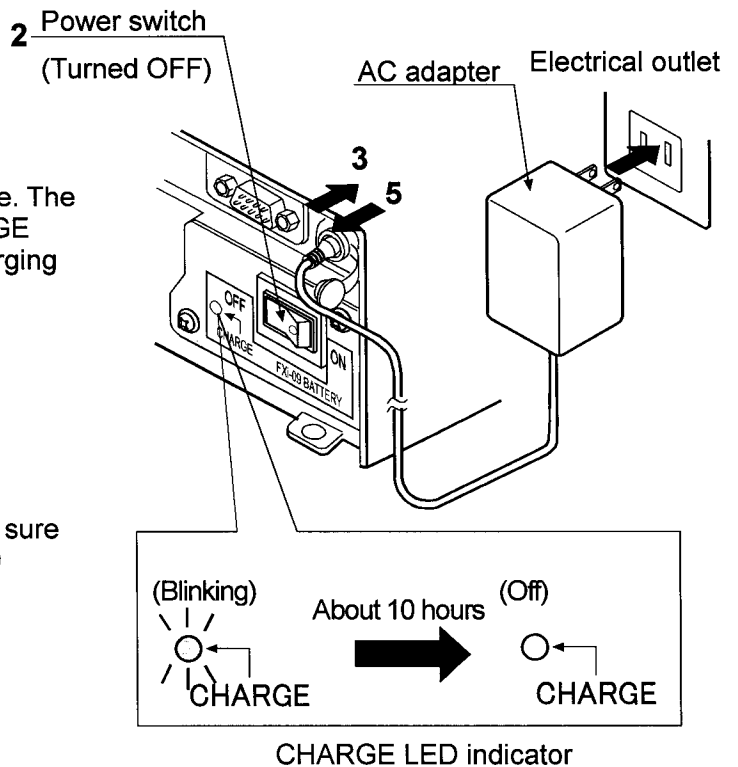


2. Turn the power switch on the rear of the balance OFF.

3. Connect the AC adapter to the balance. The battery will start charging. The CHARGE LED indicator will blink during the charging operation.

4. Charging will take about 10 hours. Be sure to fully charge until the CHARGE LED indicator goes out.

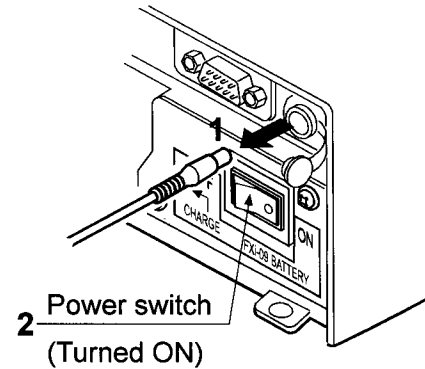
5. After charging is complete, disconnect the AC adapter from the balance to avoid recharging.



3. Using the Balance Powered by the Battery

Use the battery to supply power to the balance as follows:

1. After charging is complete, disconnect the AC adapter from the balance.
2. Turn the power switch on the rear of the balance ON. The battery will start supplying power to the balance.

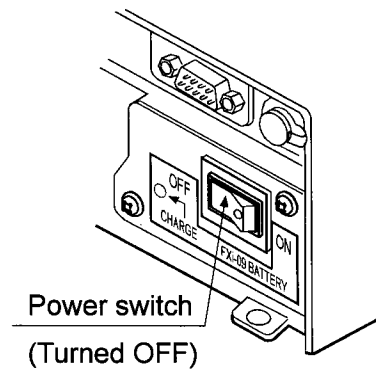


3. When the balance is not to be used, turn the power switch on the rear of the balance OFF. Under this condition, the battery is not used.

Note

When the power switch is turned OFF with the AC adapter connected to the balance, the battery will start charging.

4. While the balance is in use, if the remaining charge decreases and the voltage drops, the balance displays "Lb". When "Lb" is displayed, stop using the balance immediately and charge the battery as described on page 5.



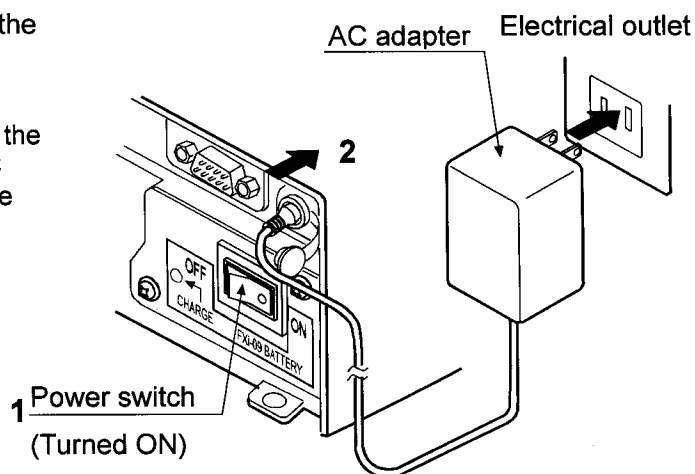
4. Using the Balance Powered by the AC Adapter

Use the AC adapter to supply power to the balance as follows:

- 本機に
電源アダプタの
ケーブルを挿入
1. Turn the power switch on the rear of the balance ON.

Note

Be sure to turn the power switch ON. If the power switch is turned OFF and the AC adapter is connected to the balance, the battery will start charging.



2. Connect the AC adapter to the balance. The AC adapter starts to supply power to the balance.

Note

When the AC adapter is not connected, the battery supplies power to the balance.

3. When the balance is not to be used, disconnect the AC adapter from the balance and turn the power switch on the rear of the balance OFF. Under this condition, the battery is not used.

